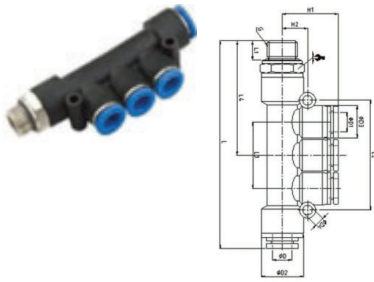
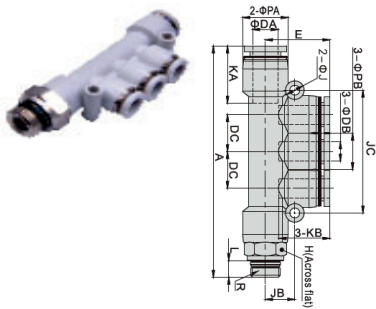


T-Einschraub-Mehrfachverbinder

Baureihe K19



Typ	øD	G	øD1	øD2	øD3	øD4	H1	H2	L1	L2	L3	L4	☒		
K198047	4	G1/8	4	14.5	13	3.2	19	9	68	5.5	42	26	14		
K194047	4	G1/4	4	14.5	13	3.2	19	9	70	7.5	42	26	17		
K198067	6	G1/8	6	14.5	13	3.2	20.5	9	68	5.5	42	26	14		
K194087	6	G1/4	6	14.5	13	3.2	20.5	9	70	7.5	42	26	17		
K193087	6	G3/8	6	14.5	13	3.2	20.5	9	70.5	7.5	42	26	20		
K192087	6	G1/2	6	14.5	13	3.2	20.5	9	73	10	42	26	24		
K198087	8	G1/8	8	18.4	14.5	3.2	24	11	87	5.5	48	29	14		
K194087	8	G1/4	8	18.4	14.5	3.2	24	11	89	7.5	48	29	17		
K193087	8	G3/8	8	18.4	14.5	3.2	24	11	89.5	7.5	48	29	20		
K192087	8	G1/2	8	18.4	14.5	3.2	24	11	92.5	10	48	29	24		
K198107	10	G1/8	10	18.4	18.4	4.2	27.5	12	95.5	5.5	60.8	37	17		
K194107	10	G1/4	10	18.4	18.4	4.2	27.5	12	98	7.5	60.8	37	17		
K193107	10	G3/8	10	18.4	18.4	4.2	27.5	12	98.5	7.5	60.8	37	20		
K192107	10	G1/2	10	18.4	18.4	4.2	27.5	12	101.5	10	60.8	37	24		



Typ	øDA	øDB	R	L	A	øPA	øPB	KA	KB	øJ	JB	JC	DC	E	H
K198647	1/8	6-4	G1/8	5,5	66	12,5	9	16,5	14	3,2	8	34	10	17,5	12
K194867	1/4	8-6	G1/4	6,5	77	15	12,5	18,5	16,5	3,2	9,5	40	12	21	14
K193187	3/8	10-8	G3/8	7	89,5	18	15	21	18,5	4,3	11	48	14,5	24	19